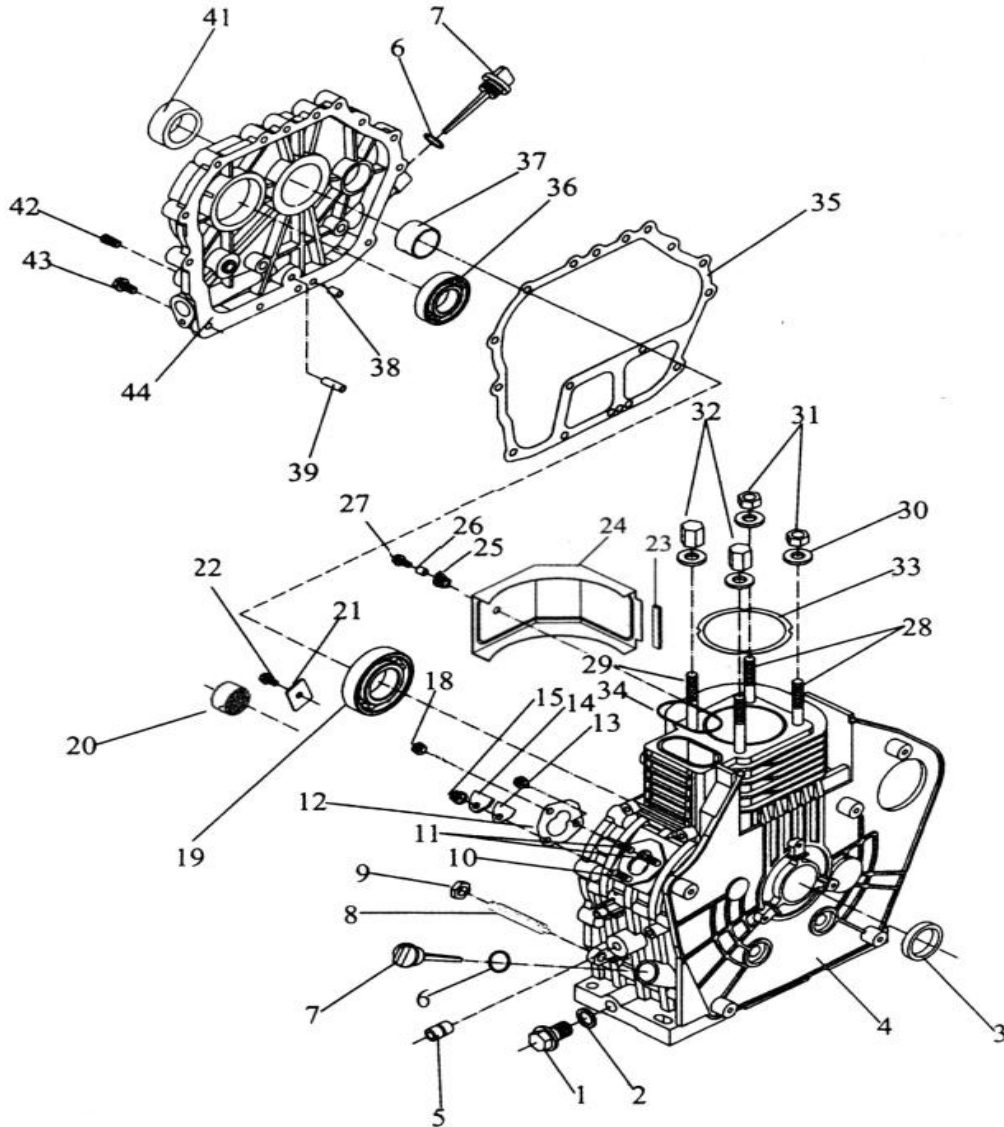


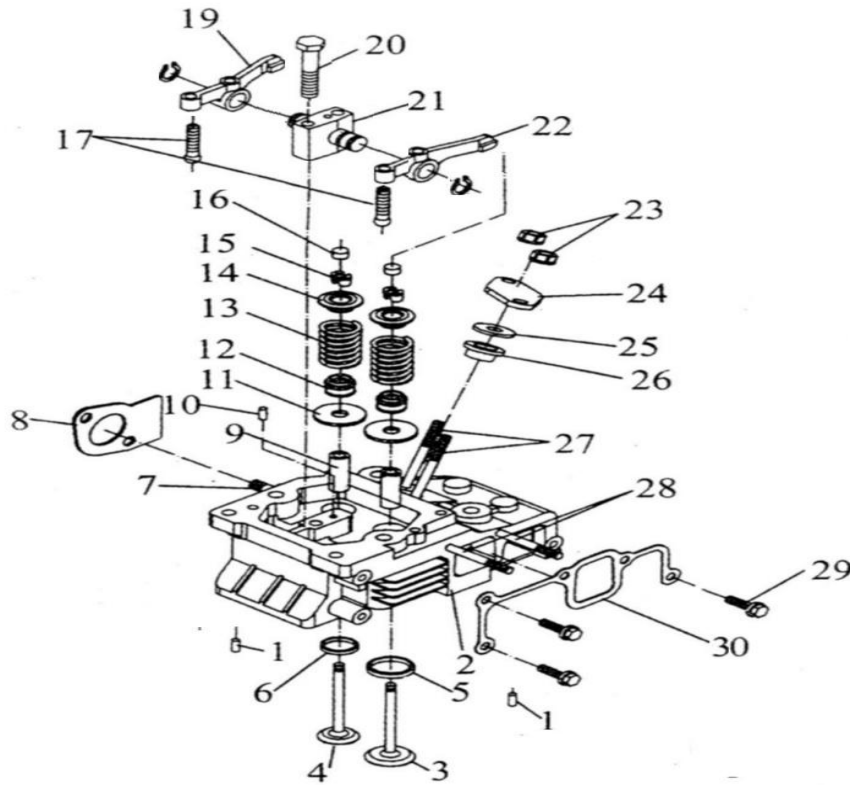
HSD186FA(E) DIESEL ENGINE EXPLOSIVE VIEW

CRANKCASE ASSY.曲轴箱体总成



NO.	CODE	ENGLISH NAME	QUANTITY	REMARK
1	KT16195-E52001-002	Drain Plug	1	
2	KT12415-E52001-000	Oil Plug Seal Assy	1	
3	KT90682-E52001-000	Oil Seal Sg35*50*8	1	
4	KT12310-E52001-00B	Cylinder Block.	1	
6/7	KT15010-E52001-000	Oil Filler Gap	2	
8/9	KT16780-E52001-002	Fuel Controller	1	
10	KT90401-0630-02	Stud AM6*30	1	
11	KT90401-0640-02	Stud AM6*40	2	

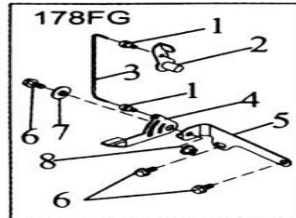
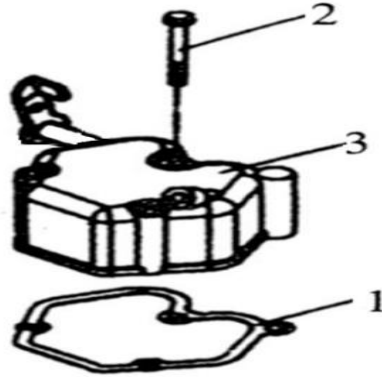
12	KT16203-E52001-000	Fuel Injection Pump Gasket 0.3	As actually required	
	KT16203-E52002-000	Fuel Injection Pump Gasket 0.2	As actually required	
	KT16203-E52003-000	Fuel Injection Pump Gasket 0.4	As actually required	
	KT16203-E52004-000	Fuel Injection Pump Gasket 0.5	As actually required	
13	KT16202-E52001-000	Seal Gasket	1	
14	KT16201-E52001-002	Seal Plate	1	
15	KT90602-0600-42	Nut M6	3	
19	KT91601-6308-P53	Ball Bearing 6308/P5	1	
23	KT19315-E52001-000	Cushion Blocking	1	
24	KT19313-E52001-002	Governor	1	
25	KT19316-E52001-000	Vibration Isolation Cushion Block	1	
26	KT90683-E52001-001	Shrath	1	
28	KT11037-E52001-00E	Cylinder Head Stud/ M10*105	2	
29	KT11038-E52001-00E	Cylinder Head Stud/ M10*118	2	
30	KT11009-E52001-002	Washer	4	
31	KT11035-E52001-002	Cylinder Head Nut(Short)	2	
32	KT11036-E52001-002	Cylinder Head Nut (Long)	2	
33	KT12004-E52001-000	Cylinder Head Shim0.3	As actually required	
	KT12004-E52002-000	Cylinder Head Shim0.4	As actually required	
	KT12004-E50003-000	Cylinder Head Shim0.2	As actually required	
34	KT90681-E52001-000	Cylinder Head Ring	1	
35	KT12412-E52001-000	Crank Case Gasket	1	
36	KT91601-6207-P53	Ball Bearing 6206/P5	1	
37	KT12413-E52001-000	Main Bearing	1	
38	KT91106-0812	Pin 8*12	2	
39	KT15007-E52001-002	Oil Indicator	1	
41	KT90682-E52002-000	Oil Seal SG35*50*10	1	
43	KT90107-0833-12	Bolt M8 * 33.5	16	
44	KT12411-E52001-00B	Crank Case Cover	1	
CYLINDER HEAD ASSY.气缸头总成				



NO.	CODE	ENGLISH NAME	QUANTITY	REMARK
2/5/6/9	KT11140-E52001-00B	Cylinder Head	1	
3	KT11111-E52001-000	Intake Valve	1	
4	KT11121-E52001-000	Exhaust Valve	1	
7	KT90401-0832-02	Stud AM8*32	2	
8	KT18001-E52001-000	Silencer Gasket	1	
10	KT91106-0408	Pin 4*8	1	
11	KT11105-E52001-00E	Valve Spring Washer	2	
12	KT11113-E52001-000	Valve Conduit Oil Seal	2	
13	KT11103-E52001-00E	Spring Retainer	2	
14	KT11107-E52001-00E	Rock Arm Assy	2	
15	KT11109-E52001-000	Cotter	4	
16	KT11104-E52001-000	Valve Adjusting Plate	2	
17/19/2 1/22	KT14300-E52001-000	Arm Assy	1	
20	KT90107-0850-12	Bolt M8*50	2	
23	KT90602-0600-42	Nut M6	2	
24	KT16501-E52001-000	Injector Clamp	1	
25	KT16551-E52001-000	Spacer Washer	As actually required	
26	KT16550-E52001-000	Insulation Sleeve	1	
27	KT90203-0667-02	Stud M6*67	2	

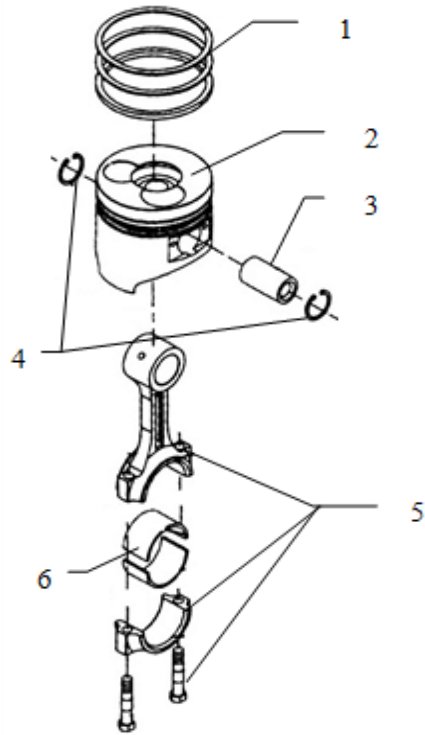
28	KT90401-0692-02	Stud M6*92	2	
29	KT90107-0625-02	Bolt M6*25	3	
30	KT11504-E52001-000	Air Intake Gasket	1	

CYLINDER HEAD COVER ASSY. 气缸盖罩总成



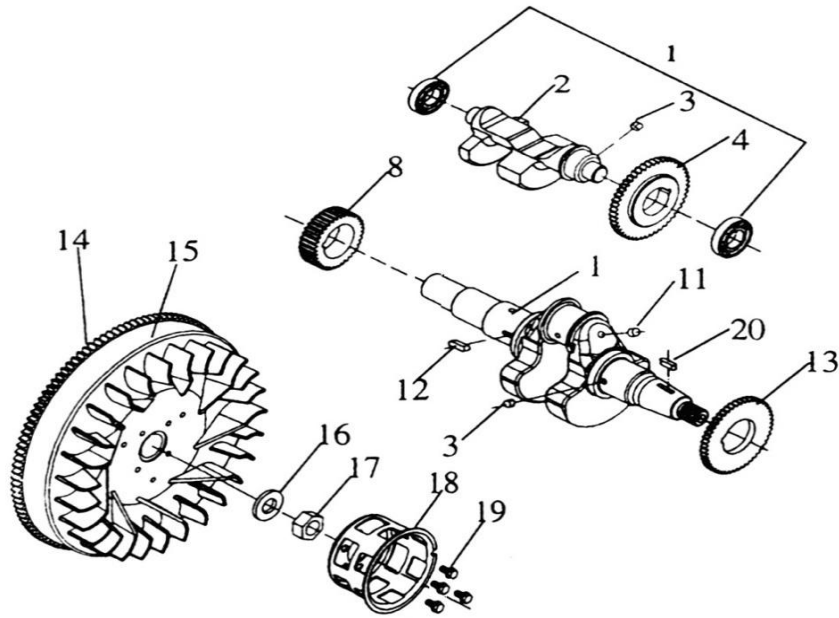
NO.	CODE	ENGLISH NAME	QUANTITY	REMARK
1	KT11004-E52001-000	Bonner Gasket	1	
2	KT90107-0670-02	Bolt /M6*70	3	
3	KT11410-E52001-000	Bonnet Assy	1	

PISTON AND CONNECTING ROD 活塞连杆总成



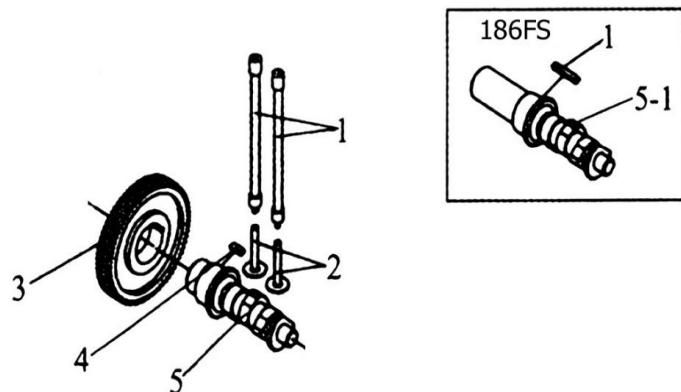
NO.	CODE	ENGLISH NAME	QUANTITY	REMARK
1	KT13200-E52001-000	Ring Set	1	
2	KT13111-E52001-000	Piston	1	
3	KT13121-E52001-000	Piston Pin	1	
4	KT92103-0008	Washer 23	2	
5	KT13010-E52001-000	Connecting Rod Assy	1	
6	KT13014-E52001-000	Crank Pin Bearing	2	

CRANKCASE FLYWHEEL ASSY. 曲轴飞轮总成



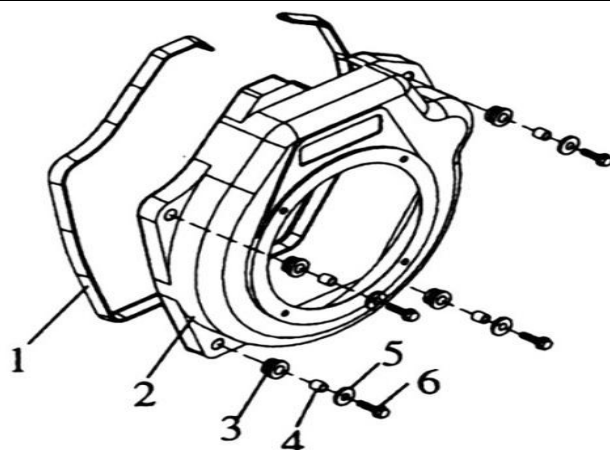
NO.	CODE	ENGLISH NAME	QUANTITY	REMARK
1	KT91601-6203-P63	Ball Bearing 6203/P5	2	
2	KT13401-E52001-000	Balancer Shaft	1	
3	KT91501-0007	Key 5×7	2	
4	KT13002-E52001-000	Timing Gear Of Balance Shaft	1	
8	KT13307-E52001-000	Crankshaft Timing Gear	1	
10	KT13301-E52001-000	Crank Shaft	1	
12	KT91501-0009	Key 5×12	1	
13	KT13411-E52001-000	Drive Gear Of Balance Shsft	1	
15	KT13510-E52002-000	Fly Wheel	1	
	KT13510-E52001-000	Fly Wheel	1	
16	KT13503-E52001-002	Fly Wheel Nut Washer	1	
17	KT13501-E52001-00E	Fly Wheel Nut/ M18*1.5	1	
18	KT28002-E52001-002	Starter Pulley	1	
19	KT90107-0612-02	Bolt M6*12	4	
20	KT91501-0008	Key 5×14	1	

CAMSHAFT ASSY. 凸轮轴总成



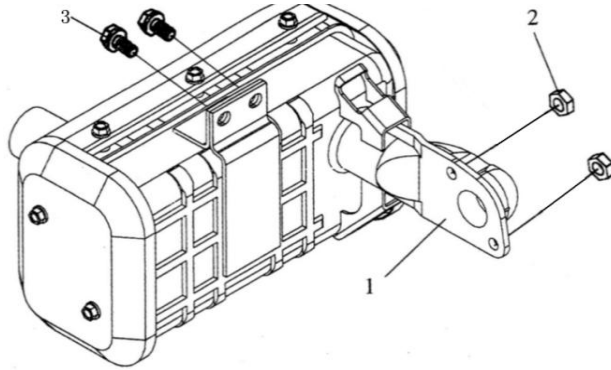
NO.	CODE	ENGLISH NAME	QUANTITY	REMARK
1	KT14070-E52001-000	Valve Rod Assy	2	
2	KT14081-E52001-000	Valve Tappet	2	
3	KT14228-E52001-000	Camshaft Timing Gear	1	
4	KT91501-0009	Key 5*12	1	
5	KT14211-E52001-000	Camshaft	1	

WIND GUARD COVER ASSY.导风罩总成



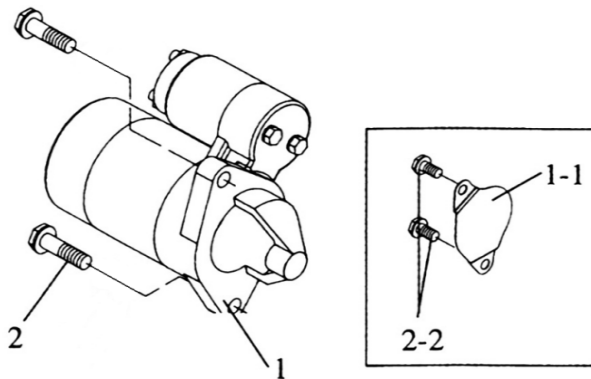
NO.	CODE	ENGLISH NAME	QUANTITY	REMARK
1	KT186FA-0020-00000	Shock Absorber Seat	1	KT19302-E52001-R51
2	KT186FA-0021-00R51	Fan Case Welded Assy	1	
3	KT186FA-0022-00000	Shock Absorber	4	
4	KT186FA-0023-00000	Collar10*10	4	
5	KT90412-E52001-002	Washer 6	4	
6	KT90107-0625-02	Bolt M6*25	4	

MUFFLER ASSY.消声器总成



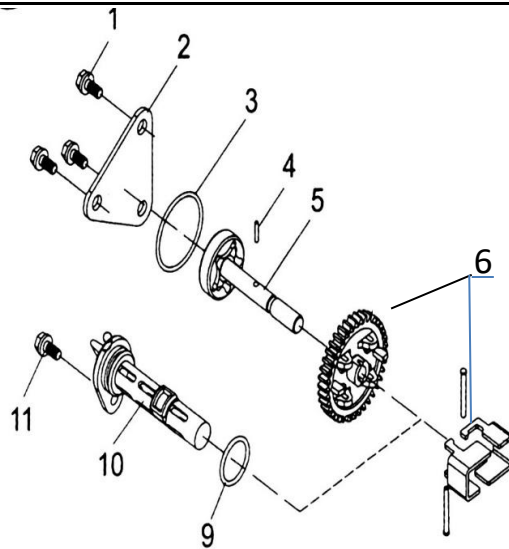
NO.	CODE	ENGLISH NAME	QUANTITY	REMARK
1	KT18100-E52001-B02	Silencer Assy	1	

STARTING MOTOR 起动电机总成



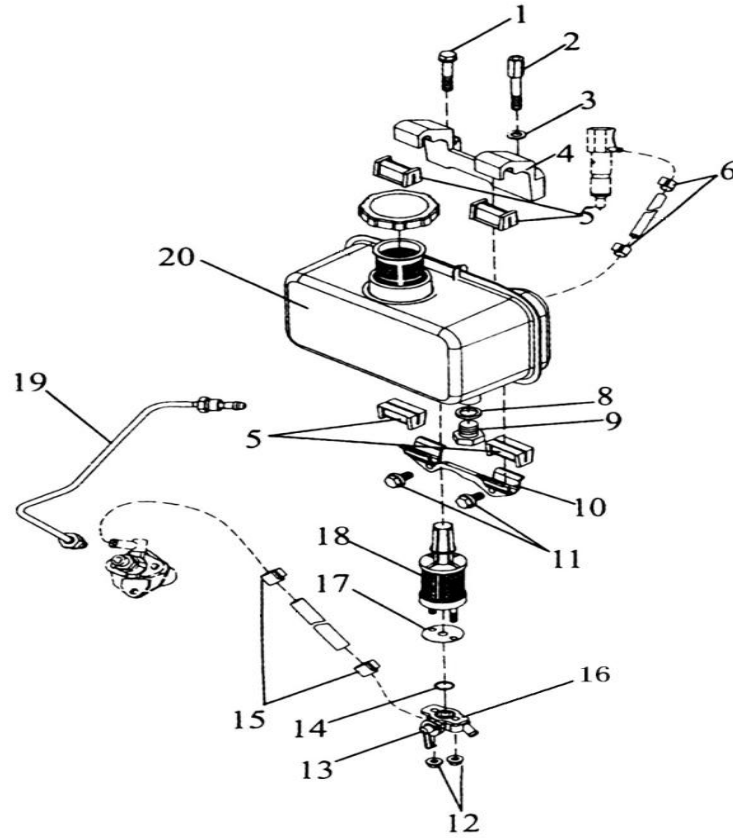
NO.	CODE	ENGLISH NAME	QUANTITY	REMARK
1	KT30300-E52001-000	Fly Wheel Alternator	1	

LUBRICATING SYSTEM 润滑系统



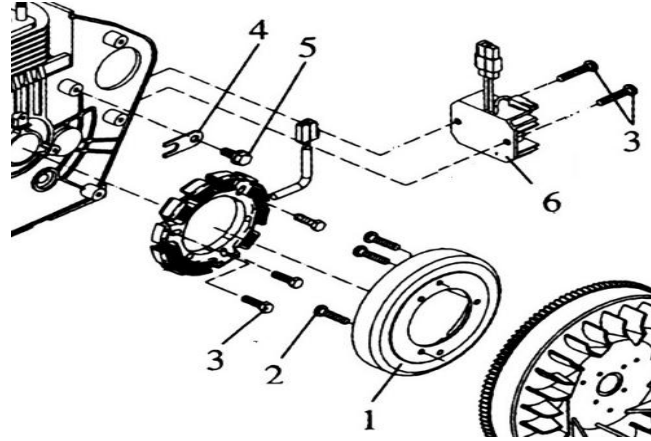
NO.	CODE	ENGLISH NAME	QUANTITY	REMARK
5	KT15100-E52001-000	Oil Pump Assy	1	
6	KT16400-E52001-000	Oil Pump Gear	1	
9/10	KT15240-E52001-000	Oil Filter Assy	1	

FUEL SYSTEM 燃油系统



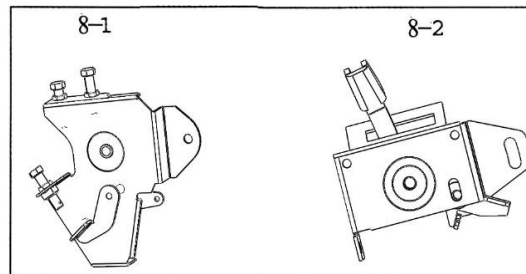
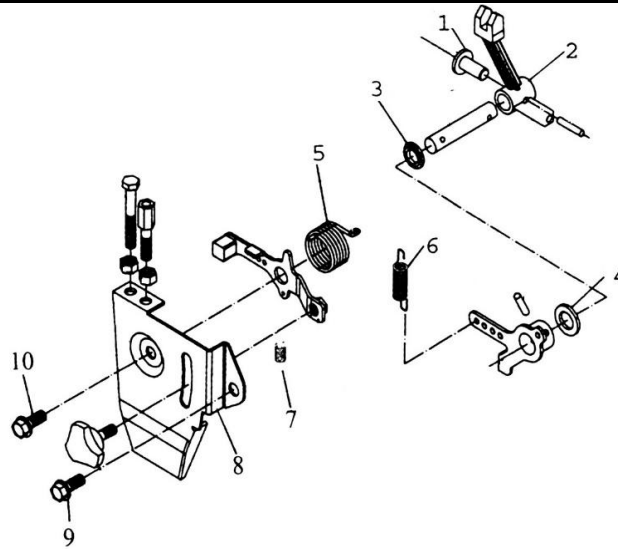
NO.	CODE	ENGLISH NAME	QUANTITY	REMARK
1	KT90107-0845-02	Bolt M8×45	1	
2	KT16817-E52001-002	Upper Stay Bolt	1	
4	KT16612-E52001-000	Upper Stay	1	
5	KT16602-E52001-000	Fuel Tank Damper	4	
8	KT16814-E52001-000	Fuel Tank Plug Seat	1	
9	KT90107-1214-02	Fuel Tank Plug	1	
10	KT16613-E52001-000	Lower Stay Assy	1	
11	KT90107-0614-02	Bolt M6*14	2	
12	KT90602-0600-42	Nut 6	2	
13/14	KT16750-E52001-000	Fuel Tank Gock Assy	1	
15	KT90686-E52001-000	Fuel Pipe Assy	1	
16	KT16755-E52001-000	Fuel Tank Gock Gasket	1	
17	KT16515-E52001-000	Fuel Filter Gasket	1	
18	KT16510-E52001-000	Fuel Filter Assy	1	
19	KT16816-E52002-002	Fuel Injection Pipe Assy	1	
20	KT16600-E52001-R01	Fuel Tank Assy	1	
	KT16730-E50001-000			

FLYWHEEL GENERATOR ASSY. 飞轮发电机总成



NO.	CODE	ENGLISH NAME	QUANTITY	REMARK
1	KT30100-E52001-000	Fly Wheel Alternator	1	
2	KT90304-0612-59	Screw Bolt M6*8	3	
3	KT90107-0618-02	Bolt M6*18	5	
4	KT30002-E52001-002	Wire Clamp	1	
5	KT90107-0612-02	Bolt M6*12	1	
6	KT35636-E52001-000	Regulator	1	

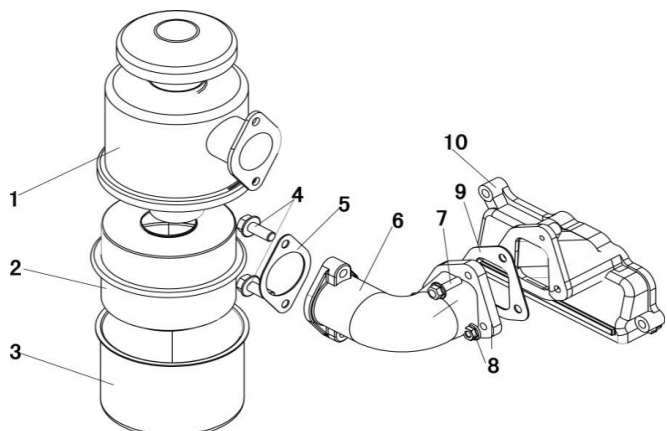
SPEED ADJUSTMENT AND CONTROL PLATE 调速及操纵组合



NO.	CODE	ENGLISH NAME	QUANTITY	REMARK
2	KT16290-E52001-000	Lever Fork	1	

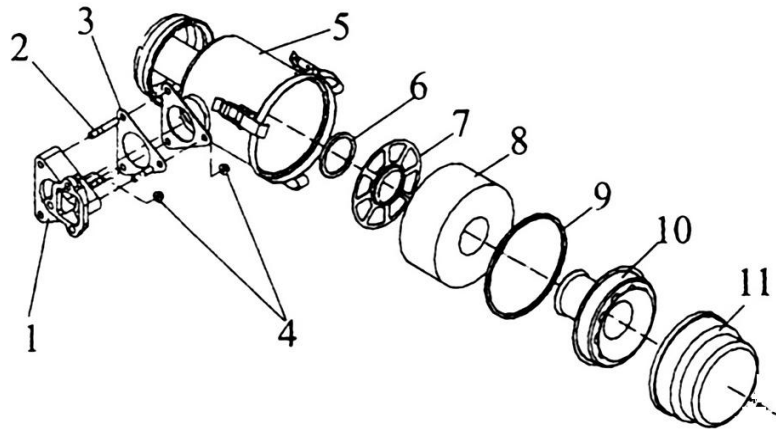
4	KT16292-E52004-000	Lever Washer	2	
5	KT16546-E52001-002	Return Spring	1	
6	KT16063-E52001-002	Governor Spring	1	
7	KT16549-E52001-00E	Fine Spring	1	
8-1	KT16520-E52001-002	Control Lever Assy.	1	

INTAKE AIR SYSTEM-FOR POWER TILLER 进气系统-微耕机用



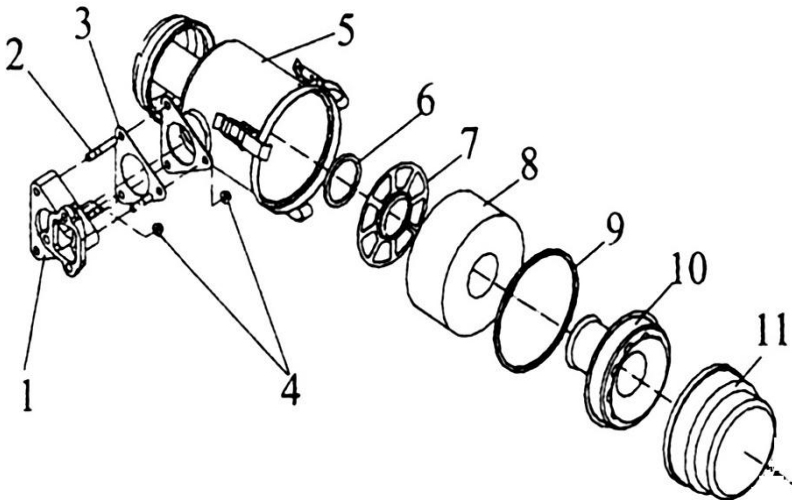
NO.	CODE	ENGLISH NAME	QUANTITY	REMARK
1/2/3	KT17100-E52003-B01	Air Filter Assy	1	
1/2/3-1	KT17100-E52002-B01	Air Filter Assy	1	
4	KT90401-0832-02	Stud AM8*32	2	
4-1	KT16083-E52001-002	Nut M8	2	
5	KT17002-E52001-000	Intake Pipe Bending Gasket	1	
6	KT16113-E52001-000	Intake Pipe Bending	1	
7	KT90107-0625-02	Nut M6×25	1	
8	KT90602-0600-42	Nut M6	2	
9	KT17001-E52001-000	Air Cleaner Gasket	1	
10	KT11510-E52001-000	Intake Pipe	1	

FOR POWER TILLER 进气系统-微耕机用 (KT17100-E52002-B01) HSD186FA/一级油浴过滤式



1	KT11510-E50002-000	Intake Pipe/Integration	1	
2	KT90107-0612-02	Nut M6×12	3	
3	KT17001-E50001-000	Air Cleaner Gasket	1	
5	KT17151-0002-000	Air Filter Connecting Disc	1	
8	KT17151-0001-000	Air Filter Case	1	
10	KT17151-0003-000	Air Cleaner Element Assy	1	
11	KT17151-0004-000	Air Filter Sump	1	

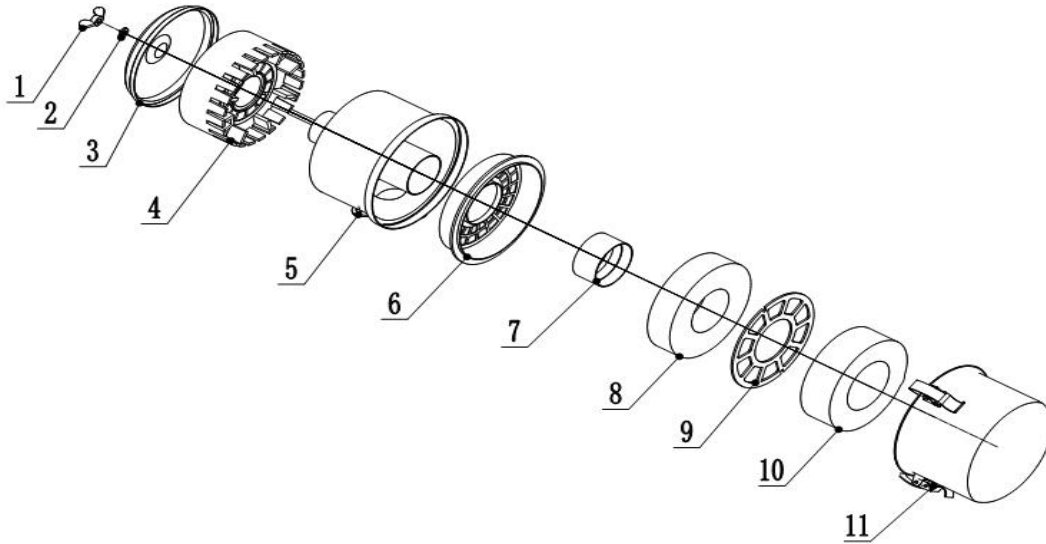
SYSTEM-FOR POWER TILLER 进气系统-微耕机用 (KT17100-E52003-B01) 二级油浴式空滤器



1	KT186FA-0024-00000	Intake Pipe/Integration	1	
3	KT186FA-0025-00000	Air Cleaner Gasket	1	
5	KT186FA-0026-00000	Air Filter Connecting Disc	1	

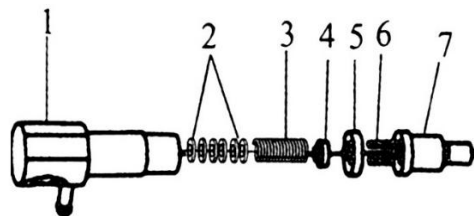
8	KT186FA-0027-00000	Air Filter Case	1	
10	KT186FA-0028-00000	Air Cleaner Element Assy	1	
11	KT186FA-0029-00000	Air Filter Sump	1	

IR SYSTEM-FOR POWER TILLER 进气系统-微耕机用 (KT17100-E53004-B01) 旋风式空滤器



1	90613-0600-Z9	Nut M6		
2	90702-0003-Z9	Flat Washer 6		
3	KT186FA-0030-00000	Head Cover/186FA		
4	KT186FA-0031-00000	Upper Shield/186FA		
5	KT186FA-0032-00000	Body/186FA		
6	KT186FA-0033-00000	Inner Cap/186FA		
7	KT186FA-0034-00000	Rubber Sleeve/186FA		
8	KT186FA-0035-00000	Filter/186FA		
9	KT186FA-0036-00000	Plastic cushion/186FA		
10	KT186FA-0037-00000	steel Filter net/186FA		
11	KT186FA-0038-00000	Bottom/186FA		

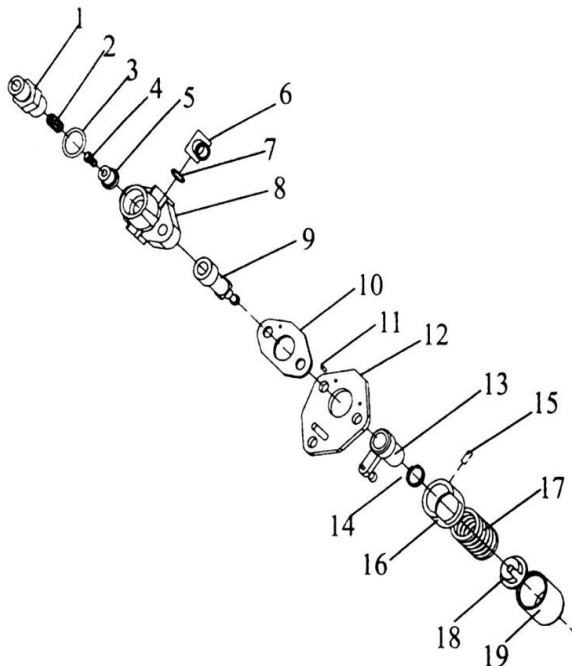
FUEL SPRAY NOZZLE 喷油器部件KT16500-E52002-000



NO.	CODE	ENGLISH NAME	QUANTITY	REMARK
1	KT186FA-0001-00000	Fuel Injection Valve Block	1	

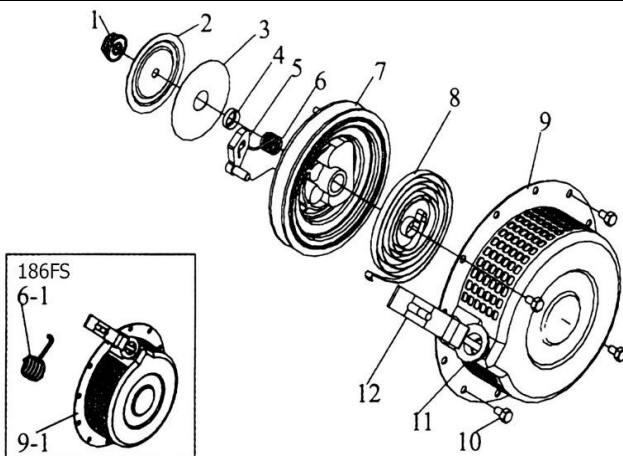
7	KT186FA-0001-00000	Nozzle	1
---	--------------------	--------	---

FUEL SPRAY PUMP 喷油泵部件KT16200-E52001-000



NO.	CODE	ENGLISH NAME	QUANTITY	REMARK
4	KT186FA-0003-00000	Fuel Delivery Valve Core	1	
5	KT186FA-0004-00000	Fuel Delivery Valve Seat	1	
8	KT186FA-0005-00000	Fip Block	1	
9	KT186FA-0006-00000	Plunger	1	
17	KT186FA-0007-00000	Spring	1	
18	KT186FA-0008-00000	Spring Holder	1	
19	KT186FA-0009-00000	Tappet	1	

RECOIL STARTER 手拉启动部件KT28200-E52001-B01



NO.	CODE	ENGLISH NAME	QUANTITY	REMARK
2	KT186FA-0010-00000	Friction Reel	1	
3	KT186FA-0011-00000	Friction Plate	1	

4	KT186FA-0012-00000	Spring Cover	1	
5	KT186FA-0013-00000	Ratchet	1	
6	KT186FA-0014-00000	Return Spring	1	
7	KT186FA-0015-00000	Starter Reel	1	
8	KT186FA-0016-00000	Spiral Spring	1	
9	KT186FA-0017-00000	Outer Case Assy	1	
11	KT186FA-0018-00000	Starter Rope	1	
12	KT186FA-0019-00000	Starter Handle	1	

